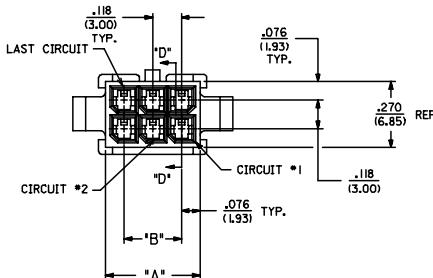
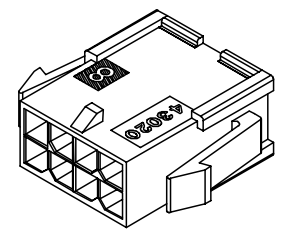


ASSEMBLY ITEM NUMBER	PART CHARACTERISTICS	
	NUMBER OF POSITION	PANEL MOUNT OPTION
43020-0200	02	YES
43020-0201	02	NO
43020-0400	04	YES
43020-0401	04	NO
43020-0600	06	YES
43020-0601	06	NO
43020-0800	08	YES
43020-0801	08	NO
43020-1000	10	YES
43020-1001	10	NO
43020-1200	12	YES
43020-1201	12	NO
43020-1400	14	YES
43020-1401	14	NO
43020-1600	16	YES
43020-1601	16	NO
43020-1800	18	YES
43020-1801	18	NO
43020-2000	20	YES
43020-2001	20	NO
43020-2200	22	YES
43020-2201	22	NO
43020-2400	24	YES
43020-2401	24	NO

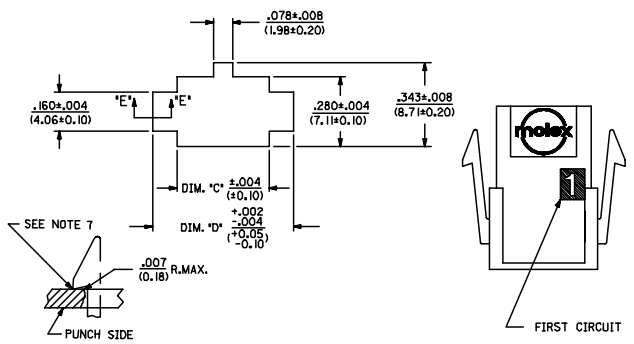
CKT. NO.	DIM. 'A'	DIM. 'B'	DIM. 'C'	DIM. 'D'
2	.152/(3.86)	N/A	.166/(4.21)	.311/(7.90)
4	.270/(6.85)	.118/(3.00)	.284/(7.21)	.429/(10.90)
6	.388/(9.85)	.236/(6.00)	.402/(10.21)	.547/(13.89)
8	.506/(12.85)	.354/(9.00)	.520/(13.21)	.665/(16.89)
10	.624/(15.85)	.472/(12.00)	.638/(16.21)	.783/(19.89)
12	.742/(18.85)	.591/(15.00)	.756/(19.21)	.901/(22.89)
14	.860/(21.85)	.709/(18.00)	.874/(22.21)	1.019/(25.88)
16	.978/(24.85)	.827/(21.00)	.992/(25.21)	1.137/(28.88)
18	1.096/(27.85)	.945/(24.00)	1.110/(28.21)	1.255/(31.88)
20	1.215/(30.85)	1.063/(27.00)	1.229/(31.21)	1.373/(34.87)
22	1.333/(33.85)	1.181/(30.00)	1.347/(34.21)	1.491/(37.87)
24	1.451/(36.85)	1.299/(33.00)	1.465/(37.21)	1.609/(40.87)



- NOTES:
- 1) HOUSING MATERIAL: UNFILLED POLYESTER (PBT), UL 94V-0  
COLOR - BLACK
  - 2) PRODUCT SPECIFICATION: PS-43045
  - 3) THIS HOUSING MATES WITH MICRO-FIT RECEPTACLE #43025-\*\*\*\*\*
  - 4) THIS HOUSING TO BE USED WITH MOLEX MALE TERMINAL #43031-\*\*\*\*\*
  - 5) DESIGNED FOR .055(1.4) MINIMUM TO A .100(2.54) MAXIMUM THICK PANEL OR PRINTED CIRCUIT BOARD.
  - 6) SEE SECTION "D"-D" FOR TERMINAL ORIENTATION IN HOUSING.
  - 7) PANEL MOUNT FEATURES MUST LOCK ON SIDE OPPOSITE PUNCH SIDE FOR OPTIMUM RETENTION.

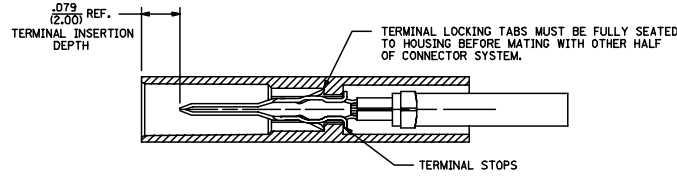


PLUG WITH OPTIONAL PANEL MOUNTS  
ISO VIEW  
(8 CIRCUIT SHOWN)

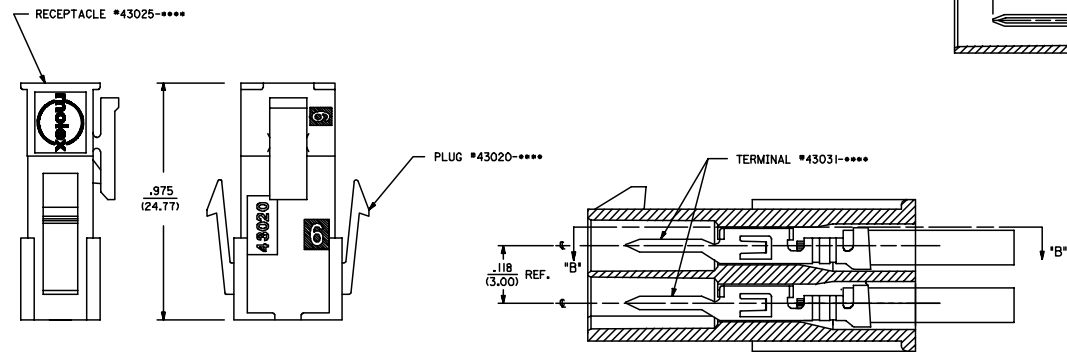


SECTION "E"-E"  
(NO SCALE)

RECOMMENDED PANEL CUT-OUT



SECTION "B"-B"



MATED MICRO-FIT CONNECTOR

SECTION "D"-D"  
WITH TERMINAL  
SCALE 8X

<b>UPDATED NOTES</b> EEC NO: UCP2006-0610 2005/12/15 DRWNS:SSWISSEK 2005/12/16 CHKD:SSWISSEK 2005/12/16 APPR:FSM:JH 2005/12/21	<b>QUALITY SYMBOLS</b> ▽=0 ▽=0	<b>GENERAL TOLERANCES (UNLESS SPECIFIED)</b>		<b>DIMENSION STYLE</b> IN/MM		<b>SCALE</b> 4:1	<b>DESIGN UNITS</b> METRIC	<b>THIRD ANGLE PROJECTION</b>
		4 PLACES ± --- ± --- 3 PLACES ± --- ± .010	INCH	DRAWN BY AFG DATE 1993/01/07	<b>TITLE</b> MICRO-FIT(3.0) 2 THRU 24 CIRCUIT PLUG WITH OPTIONAL PANEL MOUNTS			
		2 PLACES ± 0.25 ± .014 1 PLACE ± 0.35 ± ---	INCH	CHECKED BY BAP DATE 1993/01/07	<b>MOLEX INCORPORATED</b>			
		ANGULAR ±1/2°	INCH	APPROVED BY RAS DATE 1993/01/07	MATERIAL NO. SEE CHART	DOCUMENT NO. SDA-43020-*****	SHEET NO. 1 OF 1	
DRAFT WHERE APPLICABLE MUST REMAIN WITHIN DIMENSIONS		SIZE D		THIS DRAWING CONTAINS INFORMATION THAT IS PROPRIETARY TO MOLEX INCORPORATED AND SHOULD NOT BE USED WITHOUT WRITTEN PERMISSION				